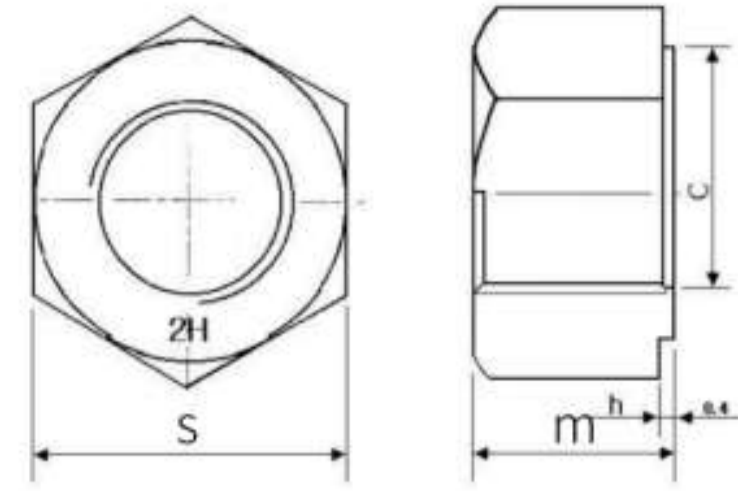


Heavy Hex Nuts

A194/2H/2HM/A563/A/B/C/DH



Frequently Chosen Sizes

Size	PP UNC/8UN	S		e		m	
		max	min	max	min	max	min
5/8	11	1.062	1.031	1.227	1.175	0.631	0.587
3/4	10	1.25	1.212	1.443	1.382	0.758	0.71
7/8	9	1.438	1.394	1.66	1.589	0.885	0.833
1	8	1.625	1.66	1.876	1.796	1.012	0.956

Nylon / Hex Flange / Metal Lock Nuts



Hex Socket Cap Screws / Hex Cap Screws



Standard Fastener: To meet the standard of ANSI, BS, DIN, JIS, VGS and more...

Cold Forge: Size 1/4" to 3/4"; Length 1/2" to 7 3/4"

Hot Forge: Size max. 2.5"; Length max. 59"

Grade 5 or above

Captive Panel Screws



Shoulder Bolts



Double End Studs

Size: Inching from 1/4" to 2"
Grade: From 8.8 to 12.9, B7 & B7M, L7 & L7M



B7 Studs



Hex Flange Bolt / 12 Point Head Flange



Visit our YouTube Channel



TM Fastener - About Video

TM Fastener Factory Tour 2026

English Subtitle



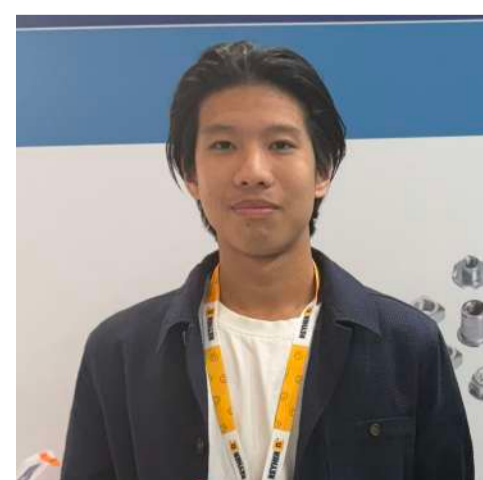
Contact Us



Name: Mekhi Zhang
Tel.: +86 18868392286
WhatsApp: +86 18868392286
Email: mekhi@tmfastener.com



Name: Chi Theo
Tel.: +86 17801537132
WhatsApp: +44 7307534263
Email: theo@tmfastener.com



Name: Maxime Fung
Tel.: +44 7543814164
WhatsApp: +44 7543814164
Email: contact@tmfastener.com

Factory: Building 2, No. 16, Xiejiaata, Fenghuang Community, Wanghai Street, Haiyan
County, Jiaxing City, Zhejiang, PRC
Phone: +86 17801537132 / +86 18868392286
Email: contact@tmfastener.com

